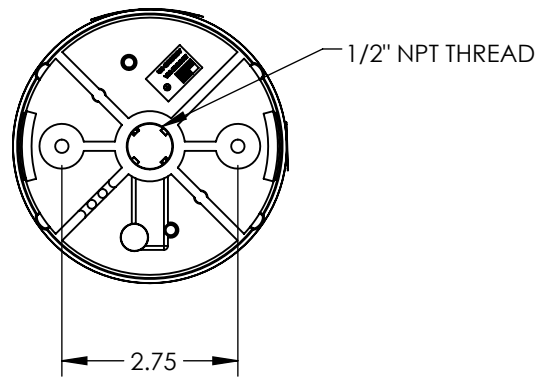
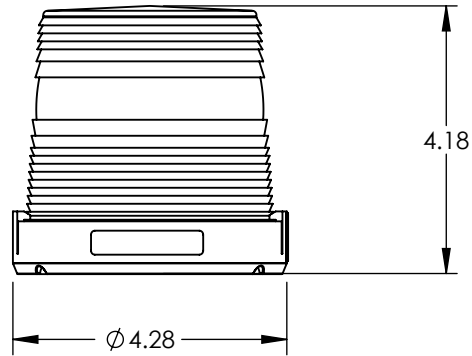


REV.	ECR	DESCRIPTION	DATE
-	16334	INITIAL DRAWING REQUEST	01/29/19



S200ZMK MOUNTING KIT

SPECIFICATIONS:

Input Voltage Range: 9-32VDC
 Current Draw: 0.5A ave., 1.0A Peak @12.8VDC
 Operating Temperature Range: -40C to 55C
 Connections: 18 inch (min.) wires exiting the unit.
 Permanent Mounting: 2 Hole Pattern 2.75"
 Pipe Mount 1/2" NPT Pipe Thread

Materials:

Module Lens: Polycarbonate
 Mounting Hardware: Stainless Steel
 Base: Polycarbonate
 Mounting Gasket: EPDM Foam Rubber

Connections:

18 Gage RED Wire: Positive VDC
 18 Gage Black Wire: Negative VDC
 18 Gage Green Wire: Pattern Select

Model Colors: See CHART 1

MODEL	COLOR	CLASSIFICATION
201ZLX-A	AMBER	TBD
201ZLX-B	BLUE	TBD
201ZLX-C	WHITE	TBD
201ZLX-G	GREEN	N/A
201ZLX-R	RED	TBD
201ZLX-M	MAGENTA	N/A

UNLESS OTHERWISE SPECIFIED

DIMENSIONS ARE IN INCHES

TOLERANCES:

ANGULAR: ± 2 DEG.
 .X ± .100
 .XX ± .020
 .XXX ± .005
 .XXXX ± .001

RoHS COMPLIANT: Yes

MATERIAL:

N/A

FINISH:

N/A

DRAWN BY: MD

DRAWING APPROVED BY ECR

THE INFORMATION CONTAINED IN THIS DRAWING IS THE SOLE PROPERTY OF STAR HEADLIGHT & LANTERN CO., INC.. ANY REPRODUCTION IN PART OR AS A WHOLE WITHOUT THE WRITTEN PERMISSION OF STAR HEADLIGHT & LANTERN CO., INC. IS STRICTLY PROHIBITED.

STAR HEADLIGHT & LANTERN CO., INC.

455 Rochester St. Avon NY 14414
 Ph:(585) 226-9500 Fax: (585) 226-2029

MODEL: 201ZLX-*

TITLE: MODEL DRAWING

DWG. NO.

201ZLX-001

REV

-

SCALE: 1:2

DO NOT SCALE FROM DRAWING

SHEET 1 OF 1