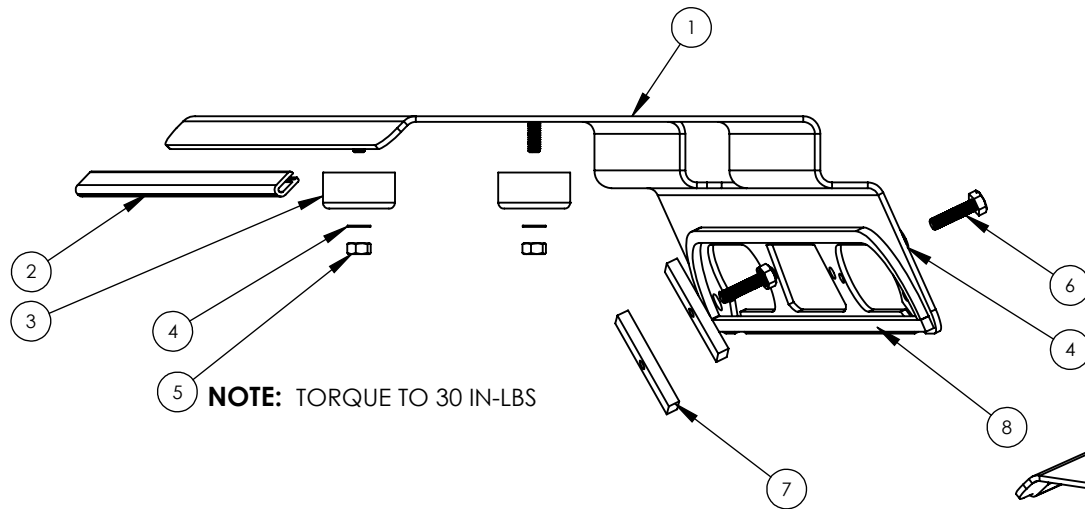
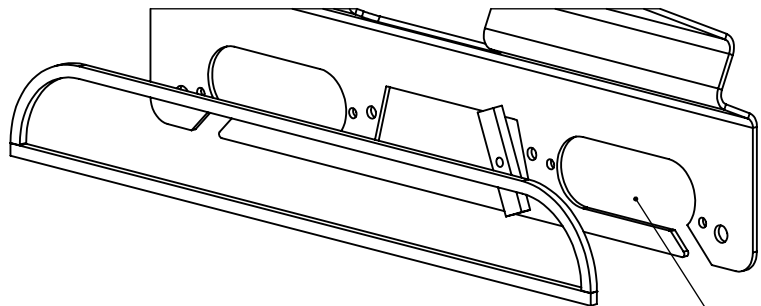
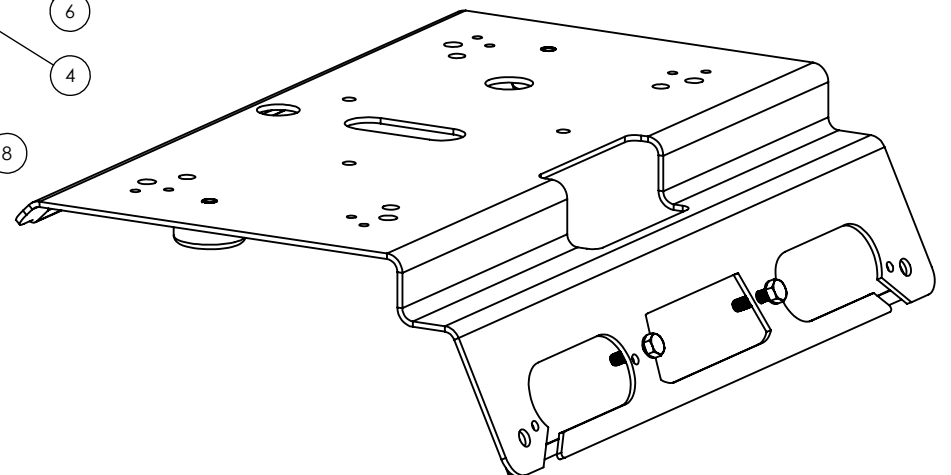


ITEM #	PART NUMBER	DESCRIPTION	QTY.
1	S30150-486	BRACKET	1
2	P30047-173-16	GASKET	1
3	P920-37	RUBBER BUMPER	2
4	P30076-6	1/4" INTERNALL TOOTH LOCK WASHER S.S.	4
5	P30096-4	1/4 - 20 HEX NUT S.S.	2
6	P30056-22	1/4 - 20 X 1" HEX BOLT S.S.	2
7	S30069-103	T-NUT, ALUMINUM	2
8	P30047-104	GASKET WITH PSA	3
*9	PLIT595	INSTRUCTION SHEET	1
*10	P30024-5	18" X 24" POLY BAG	1
*11	PADPAK303030	PACKING MATERIAL	3
*12	PCARTSTR1PK	SHIPPING BOX	1
*13	PLABSTR	SHIPPING LABEL	1

REV.	ECR	DESCRIPTION	DATE
-	16750	INITIAL DRAWING REQUEST	09/04/2019



NOTE: TORQUE TO 30 IN-LBS



NOTE:
USE SK-FORD F150 GASKET FIXTURE TO INSTALL GASKET (ITEM8)

UNLESS OTHERWISE SPECIFIED

DIMENSIONS ARE IN INCHES

TOLERANCES:

ANGULAR: ± 2 DEG.

.X ± .100

.XX ± .020

.XXX ± .005

.XXXX ± .001

RoHS COMPLIANT: Yes

MATERIAL: N/A

FINISH: N/A

DRAWN BY: EP

DRAWING APPROVED BY ECR

THE INFORMATION CONTAINED IN THIS DRAWING IS THE SOLE PROPERTY OF STAR HEADLIGHT & LANTERN CO., INC.. ANY REPRODUCTION IN PART OR AS A WHOLE WITHOUT THE WRITTEN PERMISSION OF STAR HEADLIGHT & LANTERN CO., INC. IS STRICTLY PROHIBITED.

STAR HEADLIGHT & LANTERN CO., INC.

455 Rochester St. Avon NY 14414

Ph:(585) 226-9500 Fax: (585) 226-2029

MODEL: BB274-FH

TITLE:

FORD F-SERIES 3RD BRAKE LIGHT BRACKET - HALOGEN VERSION

DWG. NO.

ADSVP-BBK274-FH

REV

-

SCALE: 1:8

DO NOT SCALE FROM DRAWING

SHEET 1 OF 1